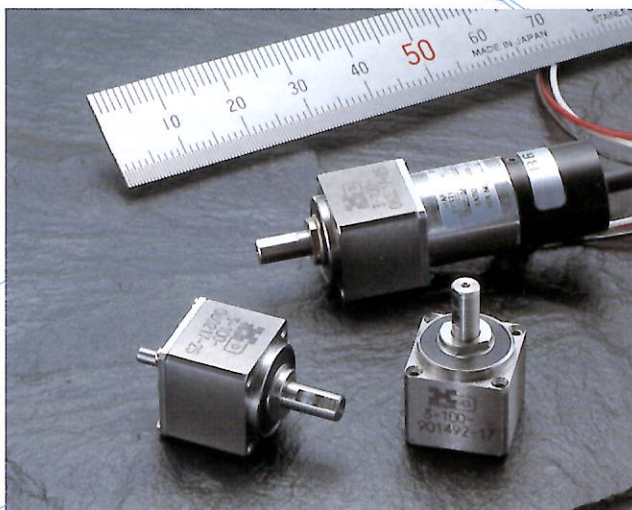


# HarmonicDrive® Small-size variation



Although the HarmonicDrive® mini series is compact and lightweight, it features the larger output torque and high positioning accuracy. This contributes to reduction in the device size and footprint and high-level motion control.

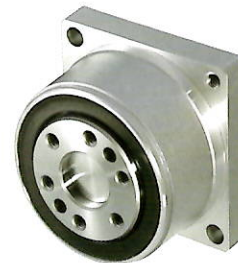


請點擊或掃描QR Code  
來找到我們！

## Smaller HarmonicDrive® gear



#3	Model No.	#5
□13 mm	External dimensions	□22 mm
11.4 g	Mass	25 g
30, 50, 100	Reduction ratio	30, 50, 100
Shaft	Output shaft	Flange
Gear head/Shaft	Input shaft installation	Gear head/Shaft



## Ultra-flat HarmonicDrive®

Model No.	#8	#11	#14
External dimensions	□50 mm	□60 mm	□75 mm
Mass	200 g	330 g	620 g
Reduction ratio	30, 50, 100		
Output shaft	Flange		



## Smallest HarmonicDrive® + Ultra-small servo motor



#3	Model No.	#5
□13 mm	External dimensions	□22 mm
31 g	Mass	66 g
30, 50, 100	Reduction ratio	30, 50, 100
Shaft	Output shaft	Shaft / Flange
800 p/r	Encoder resolution capability	2000 p/r
None	Brake	Yes

## Small, flat AC servo actuator

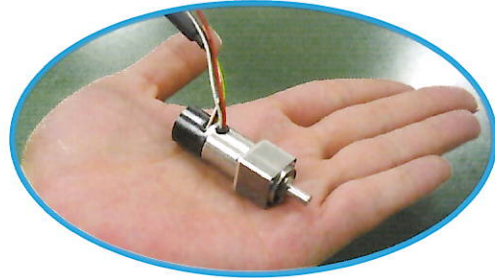
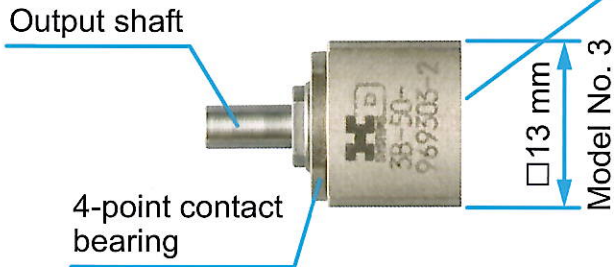
Model No.	#8	#11	#14
Full length	48.5 mm	56 mm	66 mm
External dimensions	□50 mm	□60 mm	□75 mm
Mass	400 g	620 g	1200 g
Reduction ratio	30, 50, 100		
Encoder type	Incremental / Absolute		
Encoder resolution capability	8000 p/r (INC) 131072 p/r (ABS)		



## CSF mini/supermini series

- Three selectable reduction ratio
- User-friendly unit type

Gear head type, mounted directly onto a motor, and dual-shaft unit type, equipped with an input shaft and output shaft, are available.



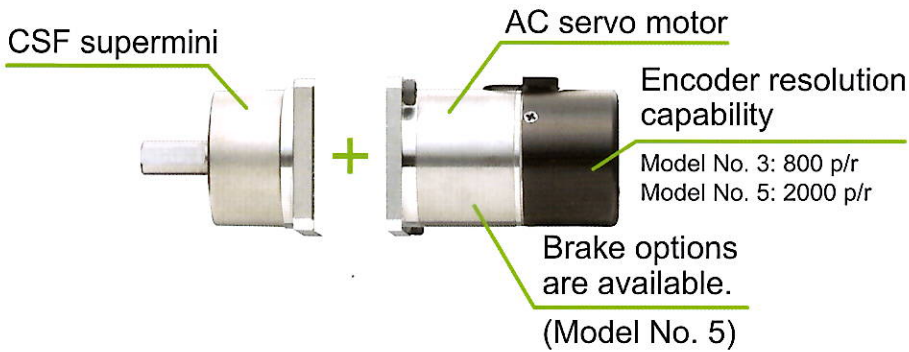
## CSF -2UP series

- Lightweight, flat, high-stiffness unit
- Cross roller bearing is used for the output bearing.



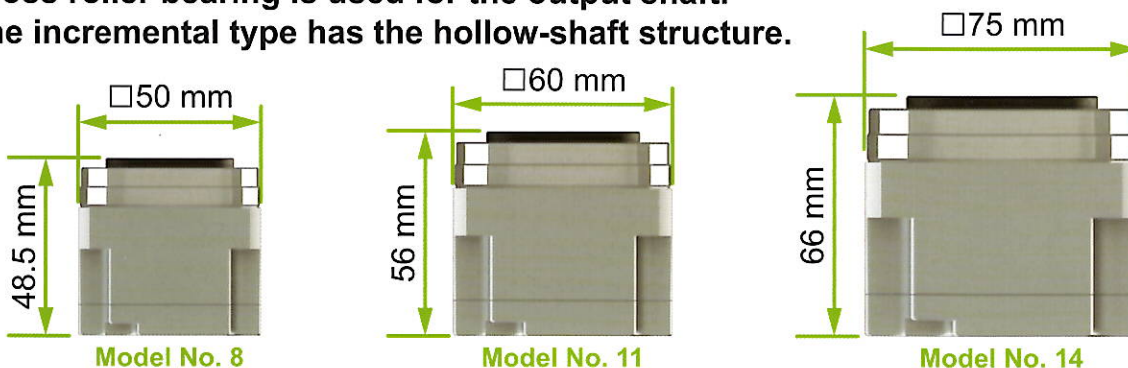
## RSFsupermini series

- Integrated-type servo actuator



## FHA-Cminiseries

- Cross roller bearing is used for the output shaft.
- The incremental type has the hollow-shaft structure.





**Newshiki**  
志城實業有限公司

T + 886 2 2377 7790  
F + 886 2 2377 7792  
E info@newshiki.com.tw  
A 台北市大安區和平東路三段63號4樓之5  
統 42636829

Harmonic Drive® 諧波減速機  
Ogura Clutch 小倉離合器・制動器

您可以點擊上方對應項目來找到我們！

\* Please contact our sales department with any questions.

	Head Office:	Ichigo Omori Building 7F, 6-25-3 Minami-Oi, Shinagawa-ku, Tokyo 140-0013 JAPAN Phone: +81-3-5471-7800 / FAX: +81-3-5471-7811
	Hotaka Plant:	1856-1 Hotakamaki, Azumino-shi, Nagano 399-8305 JAPAN Phone: +81-263-83-6800 / FAX: +81-263-83-6901
	Overseas Division:	1856-1 Hotakamaki, Azumino-shi, Nagano 399-8305 JAPAN Phone: +81-263-83-6935 / FAX: +81-263-83-6901
	Taiwan Representative Office:	G219, 11F., No.209, Sec.1, Civic Blvd., Datong Dist., Taipei City, Taiwan (R.O.C.) Phone: +886-2-2181-1640 / FAX: +886-2-2181-1641
	日高哈默納科股份有限公司 台灣代表人辦事處:	台北市大同區市民大道一段209號11樓 G219室 Phone: +886-2-2181-1640 / FAX: +886-2-2181-1641

"HarmonicDrive" is a trademark of Harmonic Drive Systems Inc.  
The academic or generic term of our "HarmonicDrive" products is "strain wave gearing."  
Harmonic Drive® trademark is registered in Japan, Korea and Taiwan.



Registered Trademark in Japan