

Food Grade Grease for HarmonicDrive® Gears HarmonicGrease® HFL-1



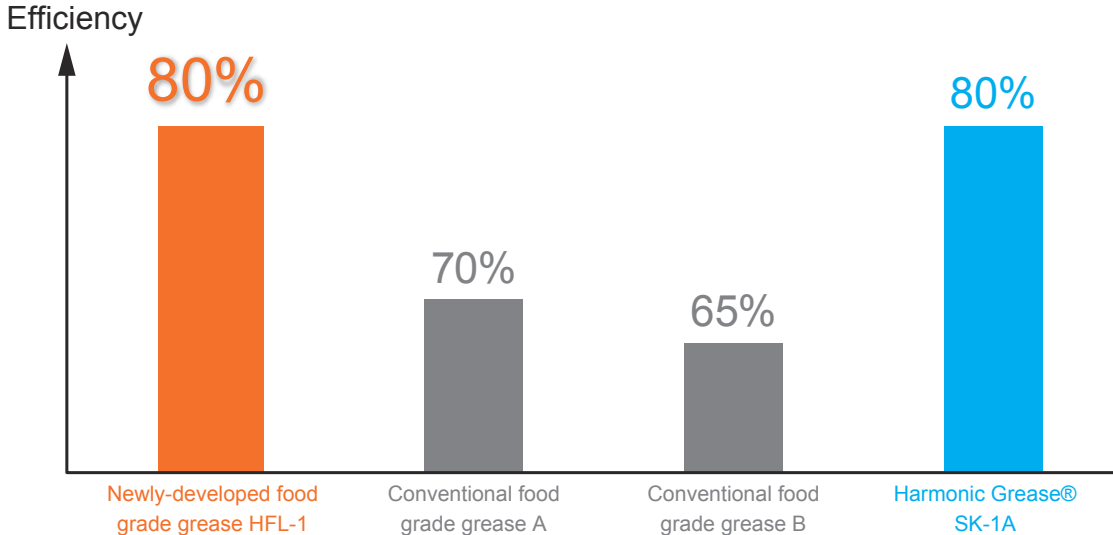
Nonfood compounds
Category code H1
Registration No. 156753



High Efficiency

- Efficiency is equivalent to our standard grease "SK-1A."
- 10 to 15% increase in efficiency compared to traditional food grade grease
- Durability is also equivalent to our standard grease "SK-1A."

Efficiency Comparison Chart

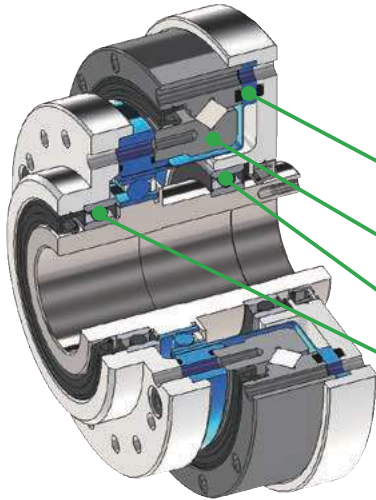


NSF H1 Registered Food Grade Grease

Harmonic Grease® HFL-1 is NSF H1 certified, and approved for use in food processing equipment. H1 class lubricants only contain FDA approved ingredients and can be used in environments where there is the possibility of incidental food contact.

We developed this grease because it was challenging to meet our performance standards for both gear efficiency and durability when conventional food grade greases were used in HarmonicDrive® gears. HarmonicGrease® HFL-1 food grade grease offers the same performance characteristics as our standard grease SK-1A.

HarmonicDrive® Gear Unit - Grease Application Areas



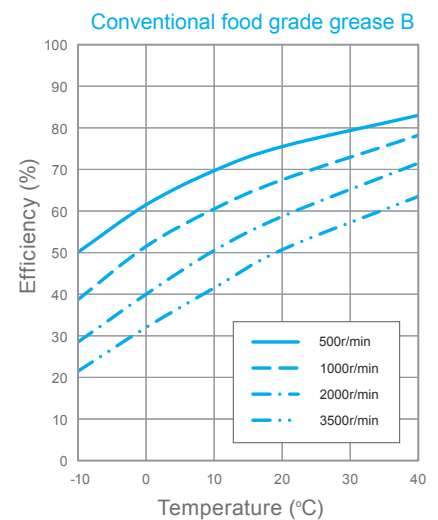
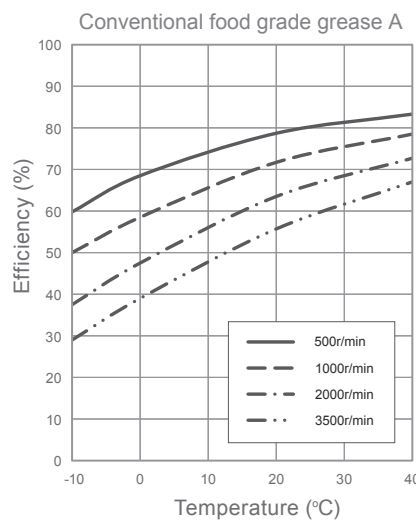
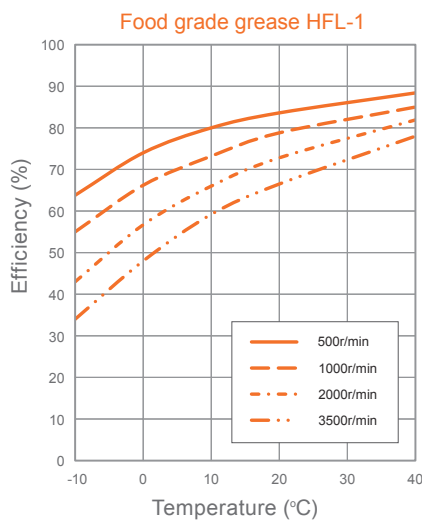
Our food grade grease can be applied to gears and bearings

HarmonicDrive® gear

Cross roller bearing

Support bearing

Efficiency Characteristics*



* CSF-20-100-2A-GR, rated torque

Please contact us when you are considering food grade grease for HarmonicDrive® gears

■ Please contact our sales department with any questions.

Head Office

Ichigo Omori Building, 6-25-3 Minami-Oi,
Shinagawa-ku, Tokyo 140-0013 JAPAN
Phone: +81-3-5471-7800 / FAX: +81-3-5471-7811

Tokyo Office

Ichigo Omori Building, 6-25-3 Minami-Oi,
Shinagawa-ku, Tokyo 140-0013 JAPAN
Phone: +81-3-5471-7830 / FAX: +81-3-5471-7836

Tokyo Office, Kitakanto Team

Ichigo Omori Building, 6-25-3 Minami-Oi,
Shinagawa-ku, Tokyo 140-0013 JAPAN
Phone: +81-3-6410-8485 / FAX: +81-3-6410-8486

Koshin Office

1856-1 Hotakamaki, Azumino-shi, Nagano
399-8305 JAPAN
Phone: +81-263-83-6910 / FAX: +81-263-83-6911

Chubu Office

TM21-2F, 21 Terugaoka, Meito-ku, Nagoya-shi,
Aichi 465-0042 JAPAN
Phone: +81-52-773-7451 / FAX: +81-52-773-7462

Kansai Office

Shin-Osaka Ueno Toyo Building 3F, 7-4-17 Nishi-nakajima,
Yodogawa-ku, Osaka-shi, Osaka 532-0011 JAPAN
Phone: +81-6-6885-5720 / FAX: +81-6-6885-5725

Kyushu Office

NMF Hakata-ekimae Building 7F, 1-15-20 Hakata-ekimae,
Hakata-ku, Fukuokashi, Fukuoka 812-0011 JAPAN
Phone: +81-92-451-7208 / FAX: +81-92-481-2493

Overseas Division

1856-1 Hotakamaki, Azumino-shi, Nagano
399-8305 JAPAN
Phone: +81-263-83-6935 / FAX: +81-263-83-6901

Hataka Plant

1856-1 Hotakamaki, Azumino-shi, Nagano
399-8305 JAPAN
Phone: +81-263-83-6935 / FAX: +81-263-83-6901

<https://www.hds.co.jp/>



"HarmonicDrive" is a trademark of Harmonic Drive Systems Inc.
The academic or generic term of our "HarmonicDrive" products is
"strain wave gearing."

