

# HarmonicDrive®

## Flat and Hollow Shaft Design AC Servo Actuator SHA Series High Accuracy SHA-CG Type with Stand (option)

### Additional Variation of SHA-CG type with Vertical Stand (option)

SHA-CG type for which the accuracy of the output shaft surface runout has been remarkably improved is now available with a stand (option).

Easy installation has been realized without any unnecessary work on your machine in the same manner as direct drive motors.

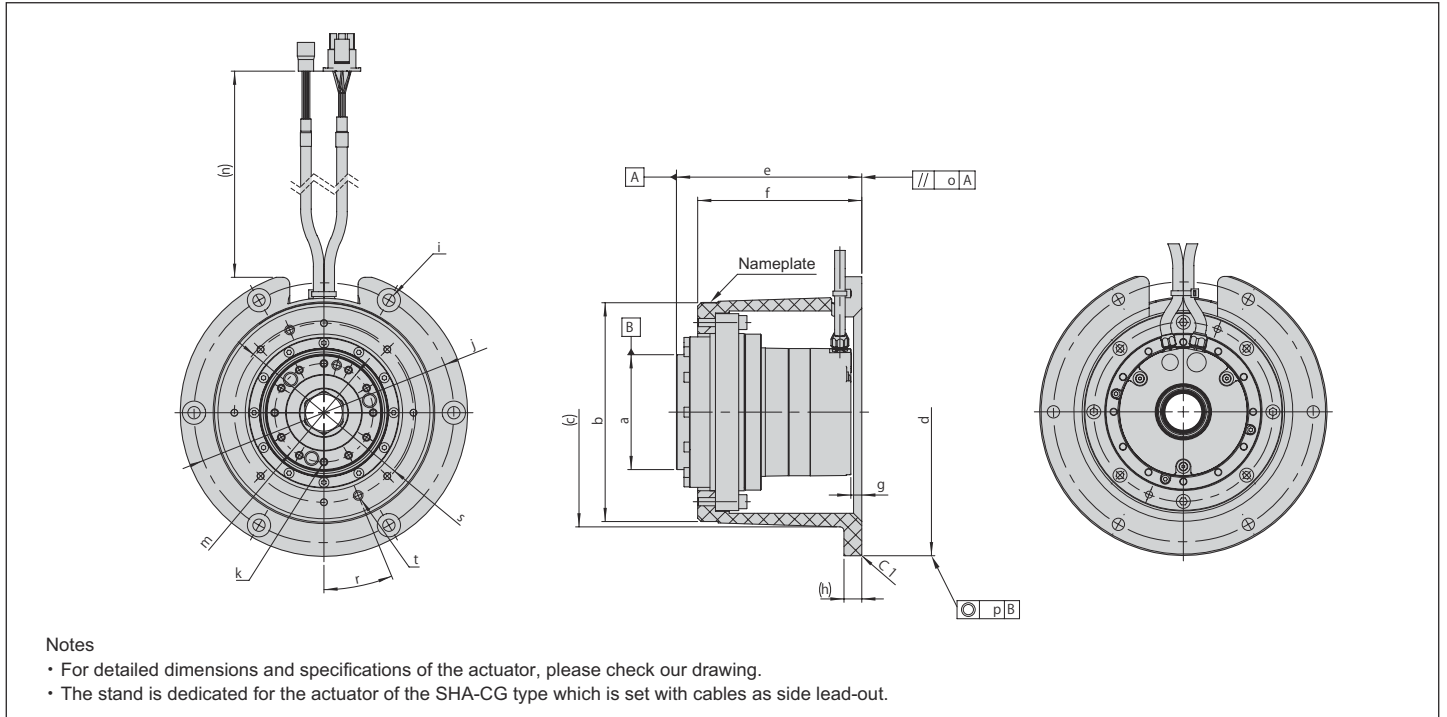
SHA-CG type provides in an easy-to-use solution for the table swivel drive and alignment adjusting functions, which require mechanical accuracy.



### Features

- There is no need to design and produce a mounting flange because SHA-CG type with stand can be directly installed on the base of your device.
- It can also be installed on the ceiling (output shaft facing downward) and on the wall (output shaft facing sideway).
- Installation accuracy is secured by selling the actuator with stand as a set (single stand cannot be sold separately).

■ Outline drawing of actuator with stand



■ Drawing measurement of actuator with stand

Item	Unit	SHA20	SHA25	SHA32	SHA40
a	mm	φ69 h7 0/-0.030	φ84 h7 0/-0.035	φ110 h7 0/-0.035	φ132 h7 0/-0.040
b	mm	φ135	φ160	φ198	φ248
c	mm	φ143	φ168	φ208	φ258
d	mm	φ177 h7 0/-0.040	φ210 h7 0/-0.046	φ260 h7 0/-0.052	φ316 h7 0/-0.057
e	mm	133±0.3	135.5±0.3	152±0.3	180±0.3
f	mm	118	120	133	163
g	mm	7.5	8	8	10
h	mm	11	13	13	20
i	mm	6-φ6.6 Counter-bore φ13 depth 1	6-φ9 Counter-bore φ17 depth 1	6-φ11 Counter-bore φ21 depth 1	6-φ13 Counter-bore φ25 depth 1
j	mm	φ161	φ190	φ234	φ288
k	-	12-M4×7	12-M5×8	12-M6×10	12-M8×12
m	mm	φ60	φ72	φ96	φ116
n	mm	170	160	150	130
o Note 1)	mm	0.050	0.055	0.060	0.070
p Note 1)	mm	φ0.080	φ0.080	φ0.090	φ0.100
r	°	60	22.5	45	90
s	mm	φ107	φ131	φ162	φ203
t	-	2-M6 depth 11	2-M8 depth 13	2-M8 depth 15	2-M12 depth 23
Mass Note 2)	kg	4.4 (4.5)	6.1 (6.2)	11.6 (11.9)	20 (21)
Bolt used on part i Note 3)	-	6-M6	6-M8	6-M10	6-M12
Recommended tightening torque on part i	Nm	11	26	52	90

Note 1) Values are based on the Total Indicator Reading (T.I.R.).

Note 2) Values in parentheses ( ) show those with brake.

Note 3) Use a plain washer when installing the product.

- For detailed dimensions and specifications of the actuator, please check our drawing.
- The stand is made of cast aluminum. No special surface treatment is applied.
- The stand cannot be sold separately.
- The SHA-CG type with stand cannot be used in combination with the origin and end limit sensors (option).
- The actuator is set with cables as side lead-out.

\* Please contact our sales representative or distributor office for more information.

	Head Office:	Ichigo Omori Building 7F, 6-25-3 Minami-Oi, Shinagawa-ku, Tokyo 140-0013 JAPAN Phone: +81-3-5471-7800 / FAX: +81-3-5471-7811
	Hotaka Plant:	1856-1 Hotakamaki, Azumino-shi, Nagano 399-8305 JAPAN Phone: +81-263-83-6800 / FAX: +81-263-83-6901
	Overseas Division:	1856-1 Hotakamaki, Azumino-shi, Nagano 399-8305 JAPAN Phone: +81-263-83-6935 / FAX: +81-263-83-6901
	Taiwan Representative Office:	G219, 11F., No.209, Sec.1, Civic Blvd., Datong Dist., Taipei City, Taiwan (R.O.C.) Phone: +886-2-2181-1640 / FAX: +886-2-2181-1641
	日商哈默納科股份有限公司	台北市大同區市民大道一段209號11樓 G219室
	台灣代表人辦事處:	Phone: +886-2-2181-1640 / FAX: +886-2-2181-1641

"HarmonicDrive" is a trademark of Harmonic Drive Systems Inc.  
The academic or general nomenclature of our products "HarmonicDrive" is "strain wave gearing."  
The trademark is registered in Japan, Korea and Taiwan.

HarmonicDrive®	HarmonicPlanetary®	HarmonicGrease®
HarmonicGearhead®	HarmonicLinear®	BEAM SERVO®
Harmonicsyn®		